

# RCH-Series, Hollow Plunger Cylinders

▼ Shown from left to right: RCH-306, RCH-120, RCH-1003



## Versatility in Testing, Maintenance and Tensioning Applications

**Pump and Cylinder Sets**  
All cylinders marked with an \* are available as sets (cylinder, gauge, couplers, hose and pump) for your ordering convenience.  
Page: 54

**Hoses**  
Enerpac offers a complete line of high quality hydraulic hoses. To ensure the integrity of your system, specify only Enerpac hydraulic hoses.  
Page: 112

**Saddles**  
Most RCH-Series cylinders are equipped with smooth saddles. See table at next page for optional threaded saddles and all dimensional information.  
Page: 21

- Hollow plunger design allows for both pull and push forces
- Single-acting spring return
- Nickel-plated, floating center tube on models over 20 tons increases product life
- Baked enamel finish for increased corrosion resistance
- Collar threads for easy fixturing
- RCH-120 includes AR-630 coupler and has 1/4 NPTF port
- RCH-121 and RCH-1211 have FZ-1630 reducer and AR-630 coupler, all other models feature CR-400 coupler

▼ Four RCH-121 cylinders (12 tons) are used to clamp a large die. The hollow plunger allows fixturing the slot bolt.



Cylinder Capacity (tons) Nominal [max.]	Stroke (in)	Model Number	Cyl. Effect. Area (in <sup>2</sup> )	Oil Cap. (in <sup>3</sup> )
12 [14]	.31	RCH-120	2.76	0.86
	1.63	RCH-121*	2.76	4.49
	1.63	RCH-1211	2.76	4.49
	3.00	RCH-123	2.76	8.29
20 [24]	2.00	RCH-202*	4.73	9.46
	6.10	RCH-206	4.73	28.67
30 [36]	2.50	RCH-302*	7.22	18.05
	6.13	RCH-306	7.22	44.23
60 [64]	3.00	RCH-603*	12.73	38.20
	6.00	RCH-606	12.73	76.41
100 [103]	3.00	RCH-1003*	20.63	61.88

\* Available as a set. See note on this page.

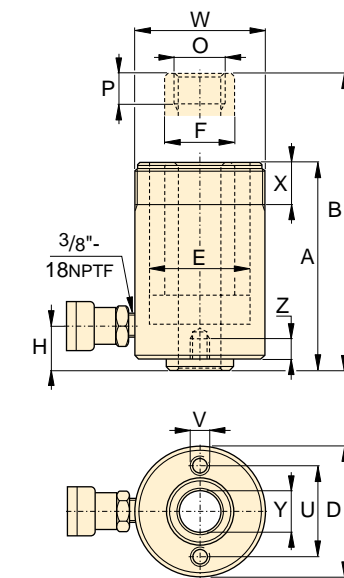
# Single-Acting, Hollow Plunger Cylinders

Optional Heat Treated Hollow Saddles

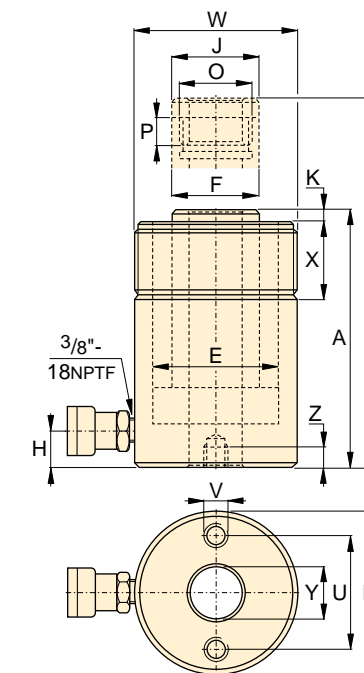
Saddle Type	Cylinder Model Number	Saddle Model Nr.	Saddle Dimensions (in)		
			A	B	C
Threaded Hollow	RCH-202, 206	HP-2015	2.11	1"-8	.38
	RCH-302, 306	HP-3015	2.49	1 1/4"-7	.38
	RCH-603, 606	HP-5016	3.61	1 5/8"-5 1/2	.50
	RCH-1003	HP-10016	4.97	2 1/2"-8	.51

Smooth hollow saddles are standard on all RCH-models (12 ton models are not equipped with saddles).

RCH-121 and RCH-1211 have a 1.88" dia. boss that protrudes .25" from base.



RCH-120 to RCH-123 models



RCH-202 to RCH-1003 models



Capacity:  
**12-100 tons**

Stroke:  
**.31-6.13 inch**

Maximum Operating Pressure:  
**10,000 psi**

Base Mounting Hole Dimensions (in)

Model Number	Bolt Circle U	Thread V	Thread Depth Z
RCH-120	2.00	5/16"-18 UNC	.35
RCH-121	-	-	-
RCH-1211	-	-	-
RCH-123	2.00	5/16"-18 UNC	.50
RCH-202	3.25	3/8"-16 UNC	.37
RCH-206	3.25	3/8"-16 UNC	.37
RCH-302	3.63	3/8"-16 UNC	.55
RCH-306	3.63	3/8"-16 UNC	.55
RCH-603	5.13	1/2"-13 UNC	.55
RCH-606	5.13	1/2"-13 UNC	.55
RCH-1003	7.00	5/8"-11 UNC	.75

Coll. Height A (in)	Ext. Height B (in)	Out. Dia. D (in)	Cyl. Bore Dia. E (in)	Plgr. Dia. F (in)	Cyl. Base to Advance Port H (in)	Saddle Dia. J (in)	Saddle Protr. from Plgr. K (in)	Plunger Internal Thread O (in)	Plunger Thread Length P (in)	Collar Thread W (in)	Collar Thread Length X (in)	Center Hole Dia. Y (in)	Weight (lbs)	Model Number
2.19	2.50	2.75	2.13	1.38	.38	-	-	3/4"-16 UN	.63	2 3/4"-16	1.19	.77	3.2	RCH-120
4.75	6.38	2.75	2.13	1.38	.75	-	-	-	-	2 3/4"-16	1.19	.77	6.2	RCH-121*
4.75	6.38	2.75	2.13	1.38	.75	-	-	3/4"-16 UN	.63	2 3/4"-16	1.19	.77	6.2	RCH-1211
7.25	10.25	2.75	2.13	1.38	.75	-	-	-	-	2 3/4"-16	1.19	.75	9.8	RCH-123
6.38	8.38	3.88	2.88	2.13	.75	2.13	.27	1 9/16"-16 UN	.75	3 7/8"-12	1.50	1.06	17	RCH-202*
12.05	18.11	3.88	2.88	2.13	.75	2.13	.27	1 9/16"-16 UN	.75	3 7/8"-12	1.50	1.06	31	RCH-206
7.03	9.53	4.50	3.50	2.50	.85	2.50	.38	1 13/16"-16 UN	.88	4 1/2"-12	1.66	1.31	24	RCH-302*
13.00	19.13	4.50	3.50	2.50	1.00	2.50	.38	1 13/16"-16 UN	.88	4 1/2"-12	1.66	1.31	48	RCH-306
9.75	12.75	6.25	4.88	3.63	1.25	3.61	.50	2 3/4"-16 UN	.75	6 1/4"-12	1.91	2.12	62	RCH-603*
12.75	18.75	6.25	4.88	3.63	1.25	3.61	.50	2 3/4"-16 UN	.75	6 1/4"-12	1.91	2.12	78	RCH-606
10.00	13.00	8.38	6.50	5.00	1.50	4.97	.50	4"-16 UN	1.00	8 3/8"-12	2.38	3.11	132	RCH-1003*